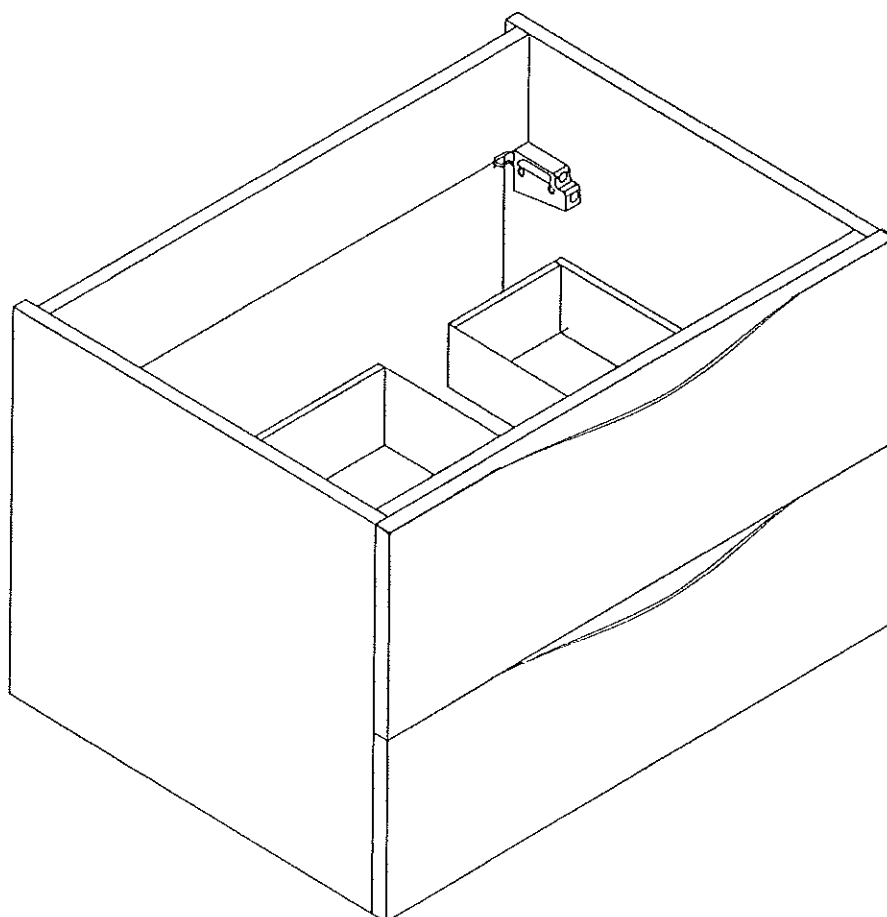
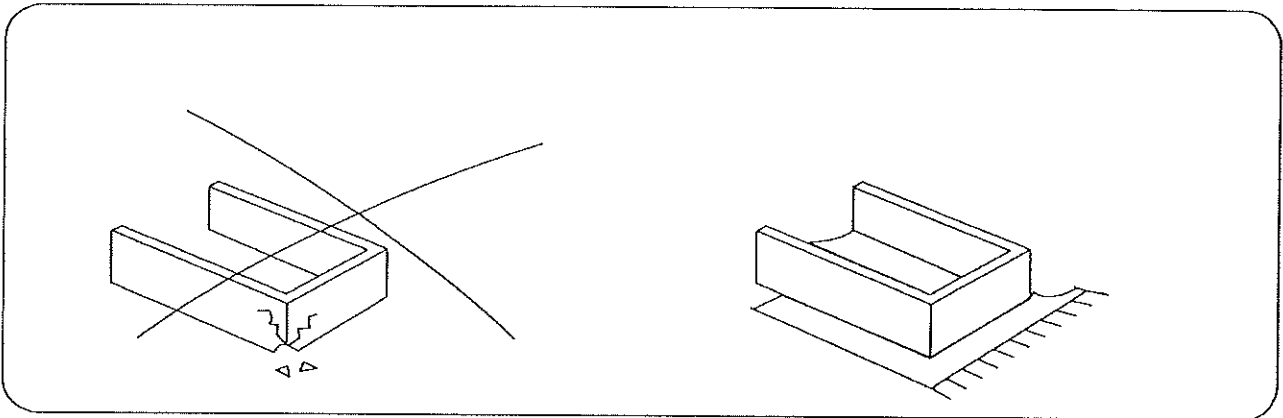
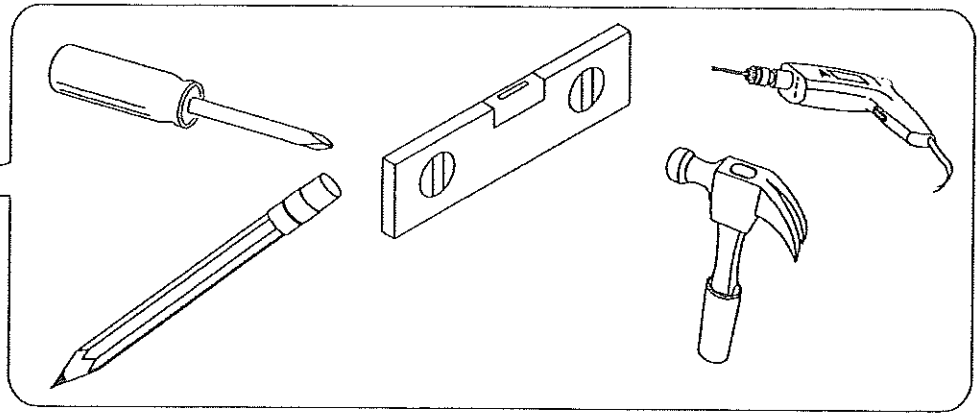
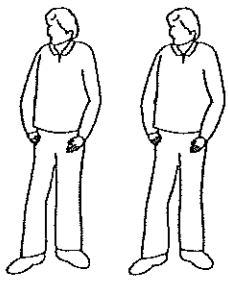


ARNHEM





A



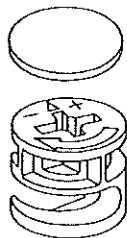
X34

B



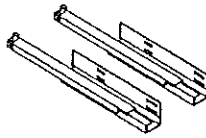
X18

C



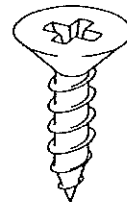
X34

D



X2

E



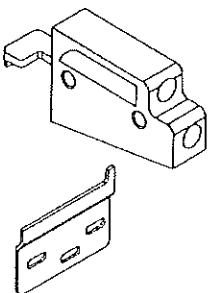
X17

K



X2

F



X2

G



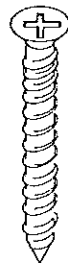
(4X30)
X4

H



(5X40)
X4

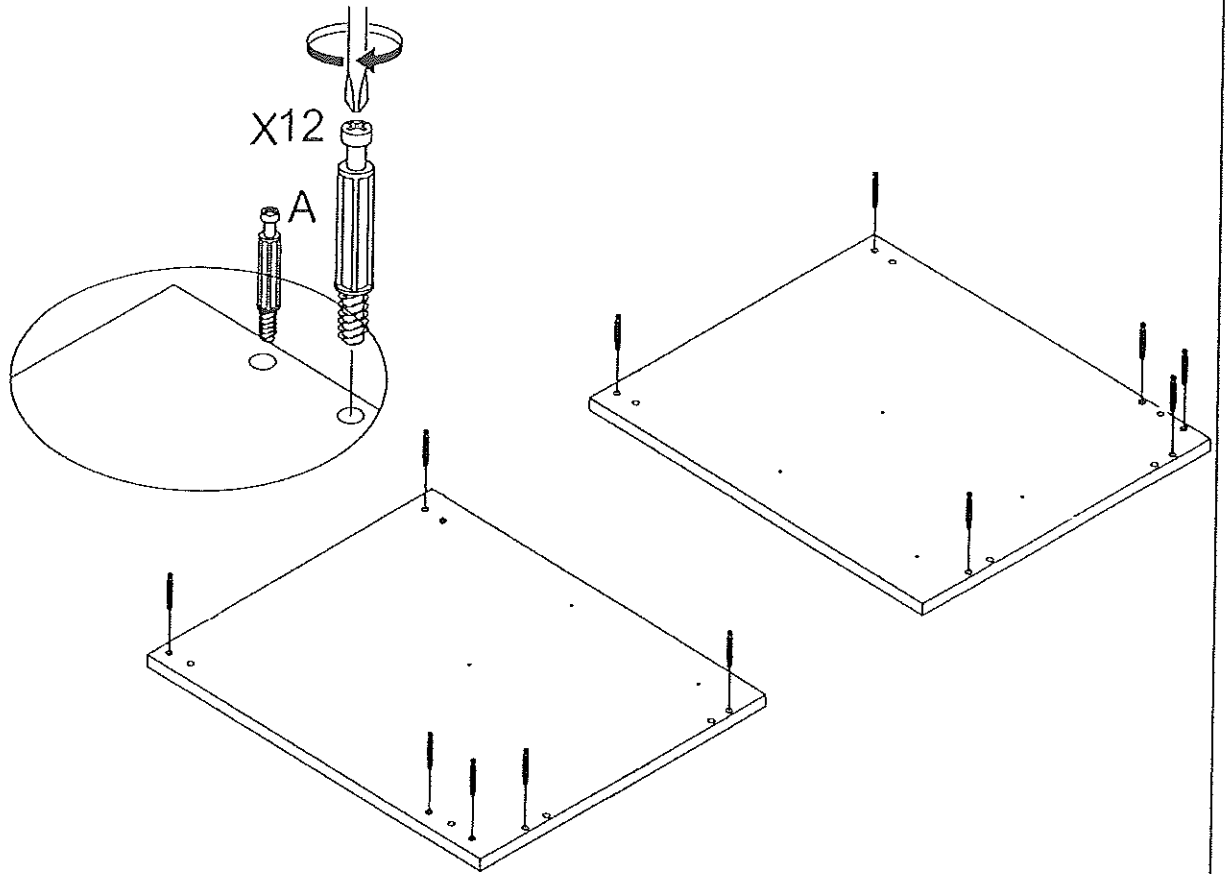
I



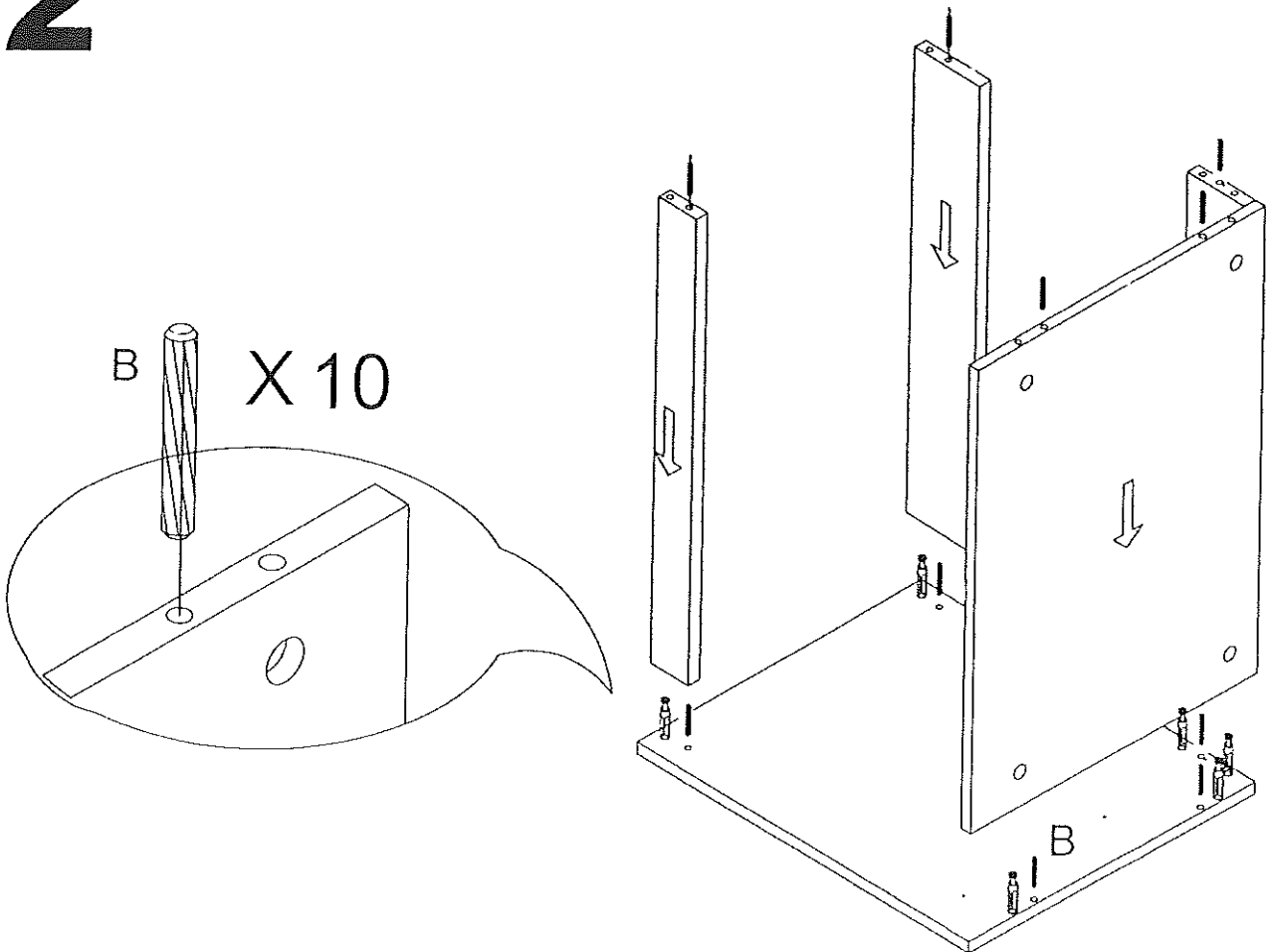
(4X25)

X4

1

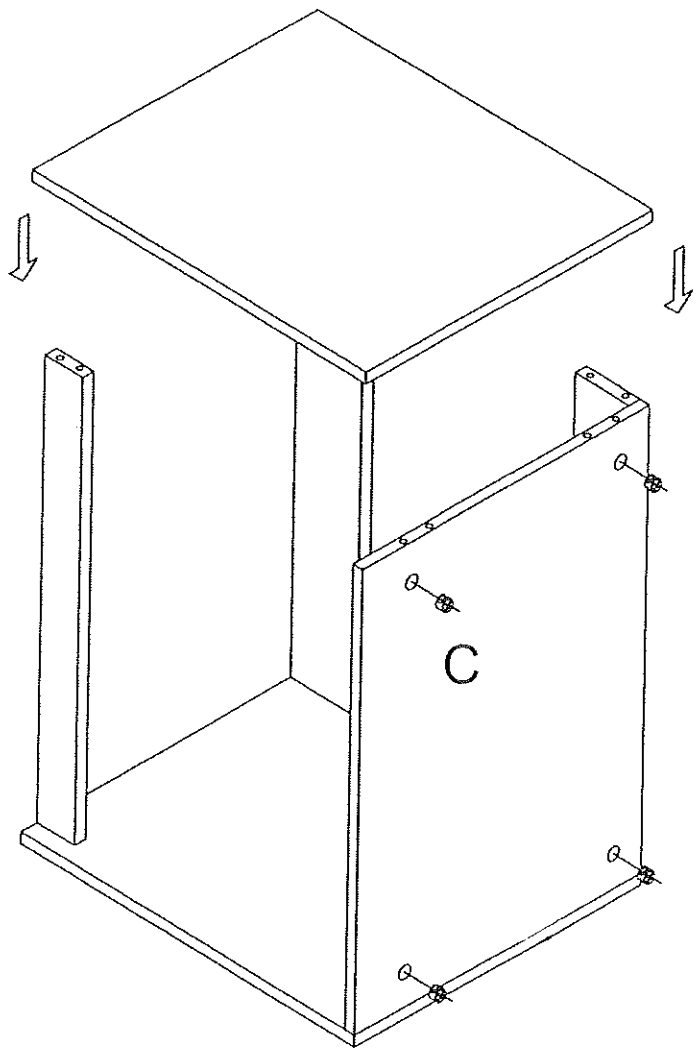
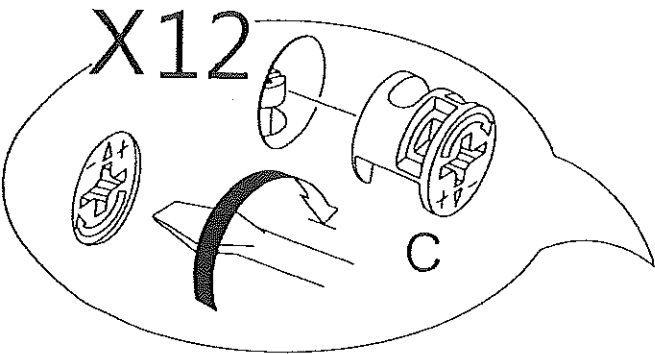


2

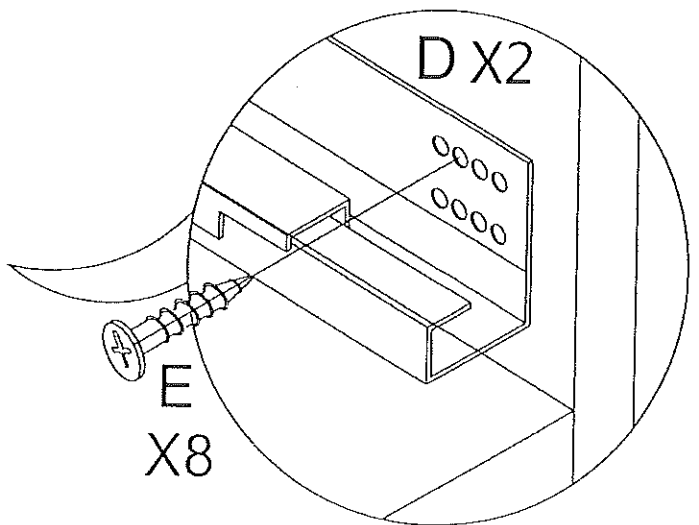
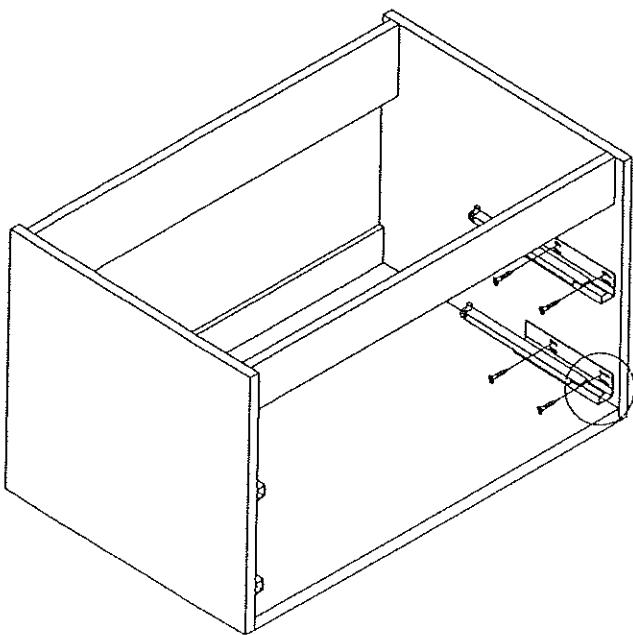


3

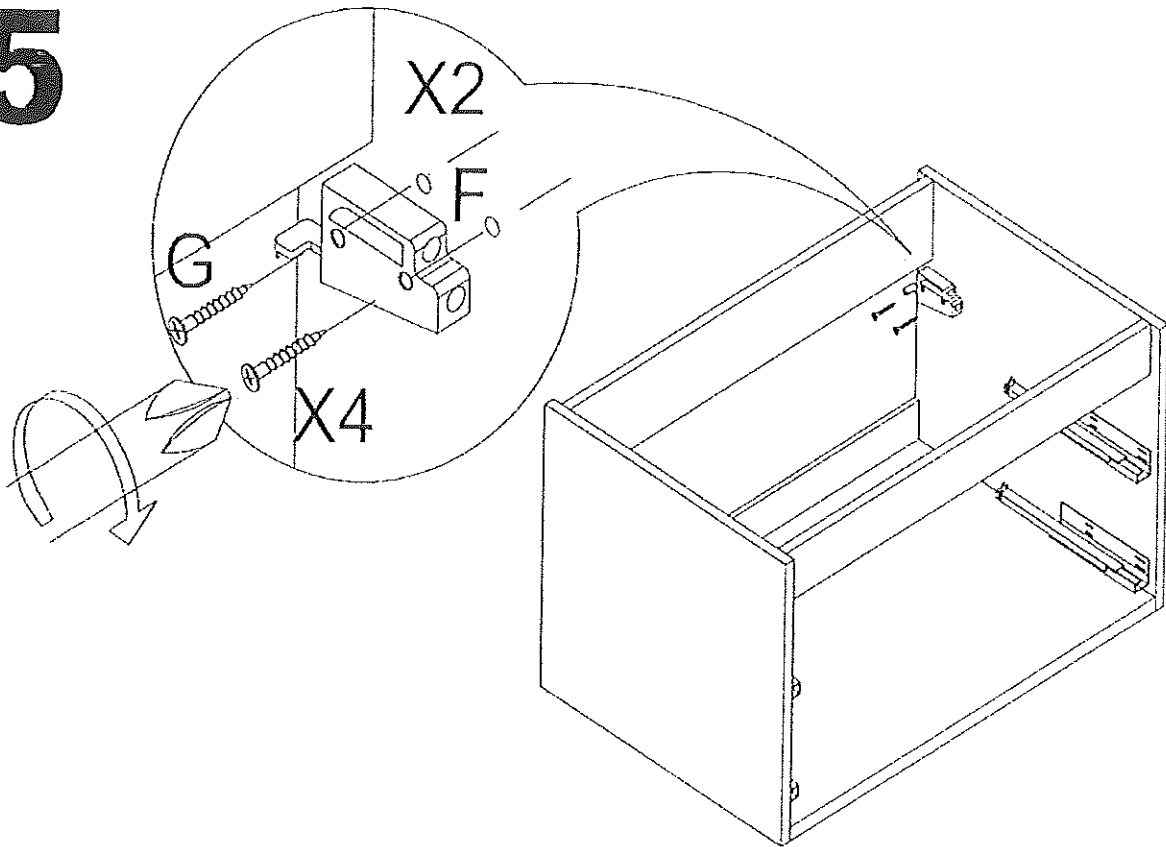
3



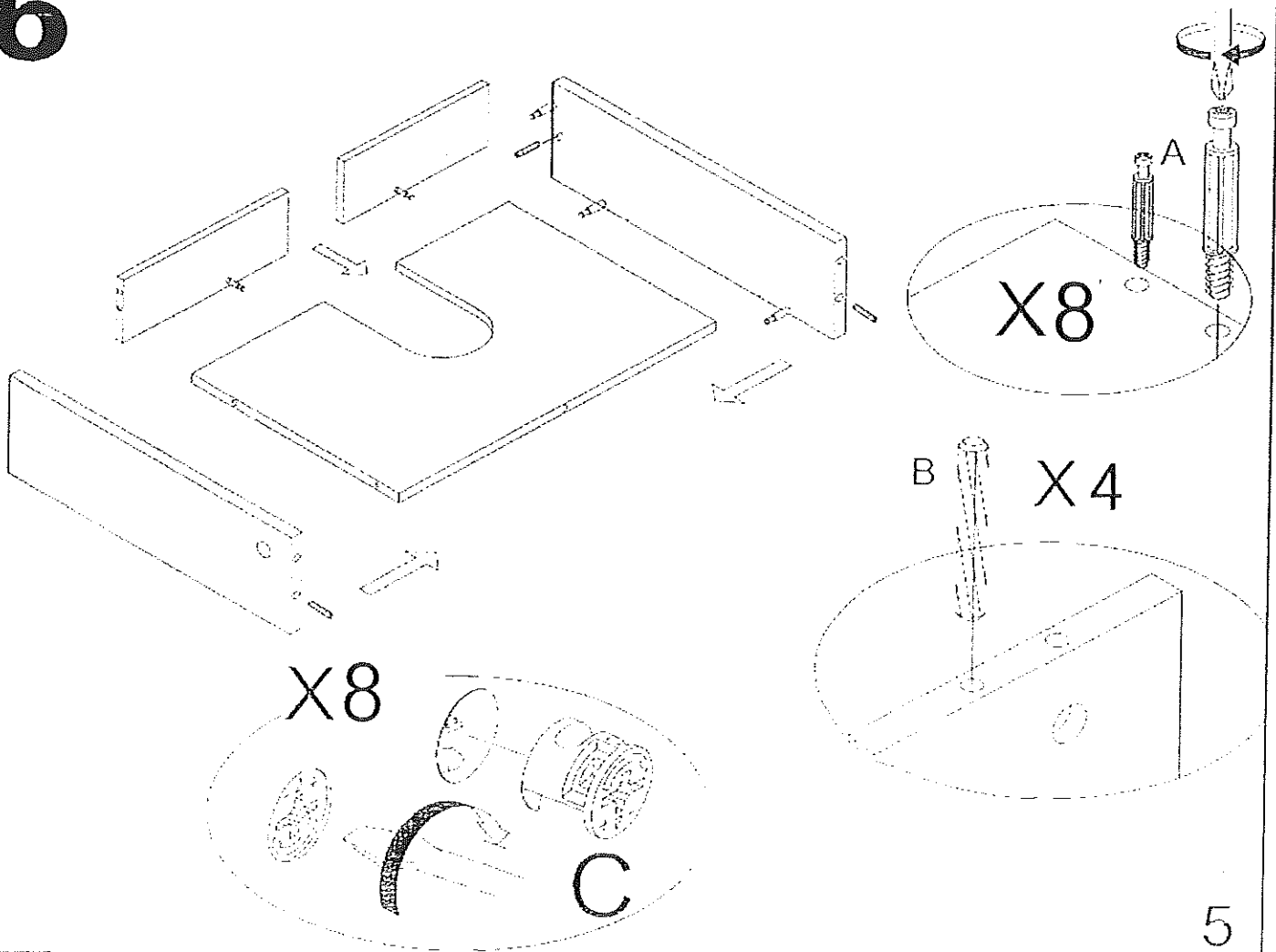
4



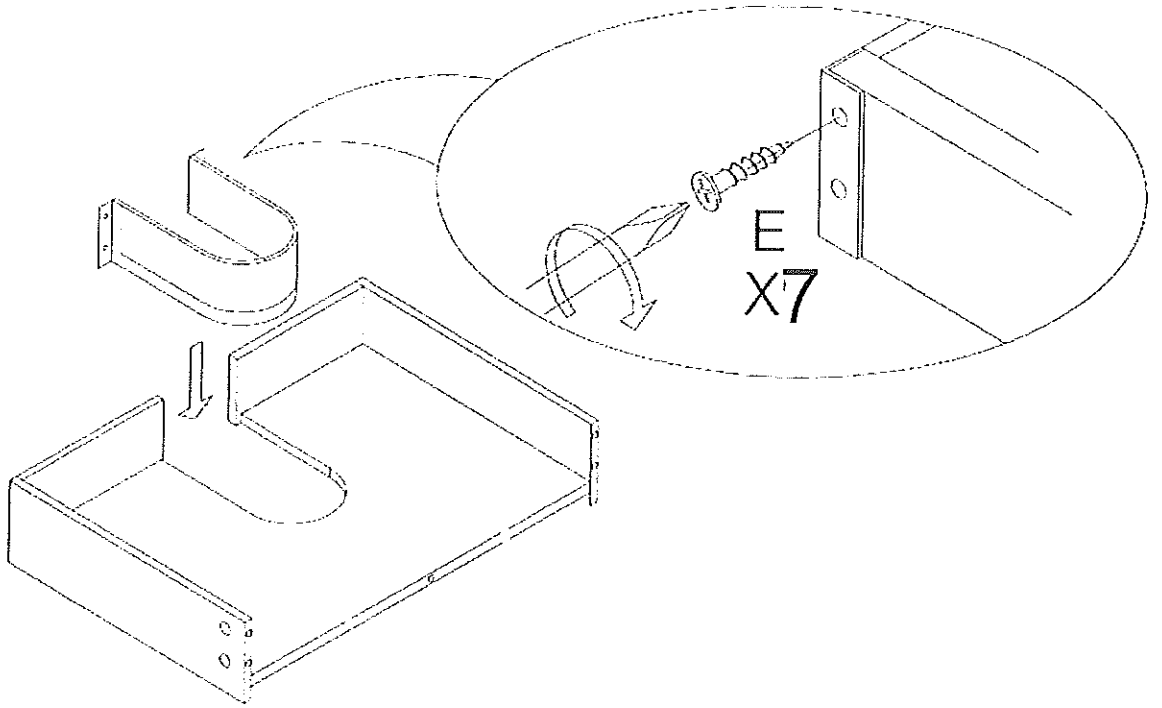
5



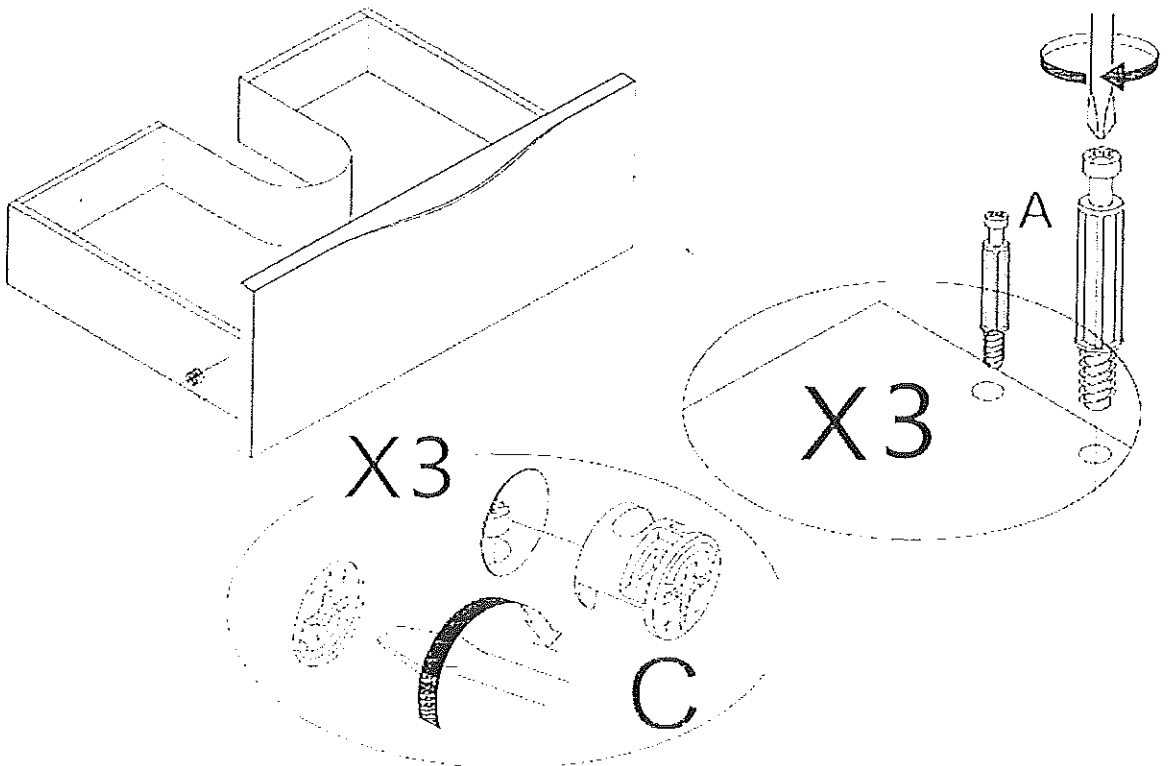
6



7

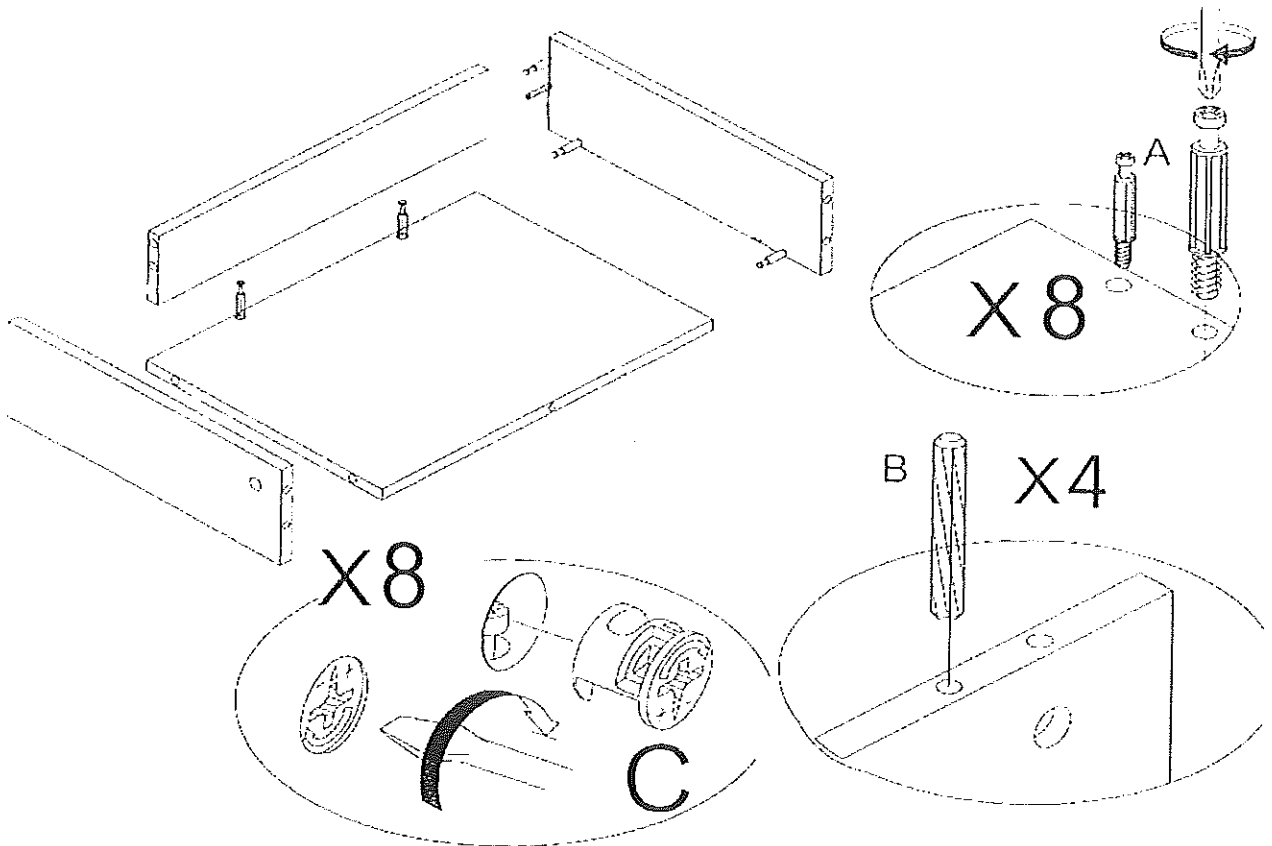


8

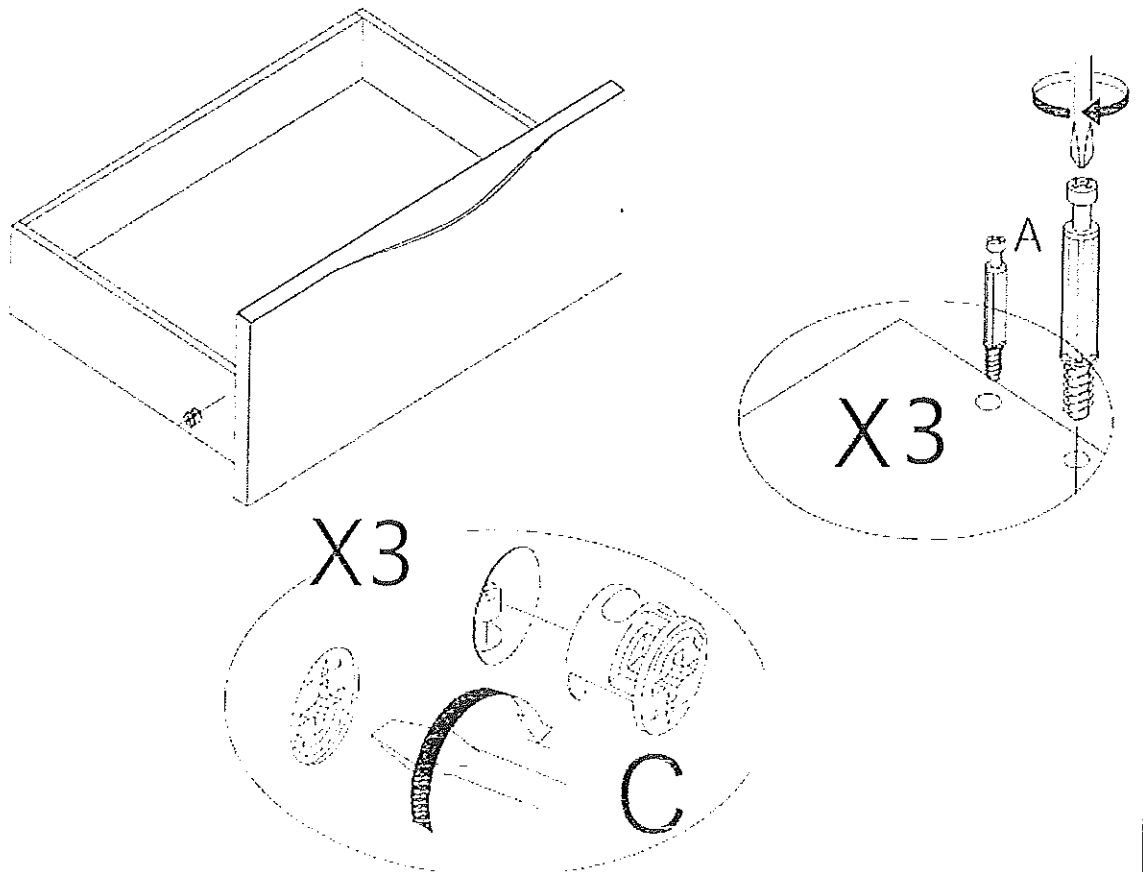


6

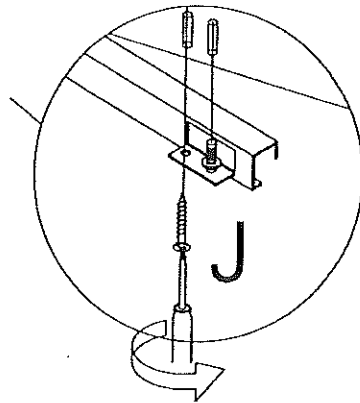
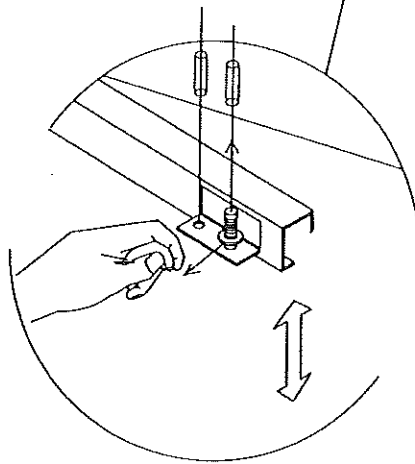
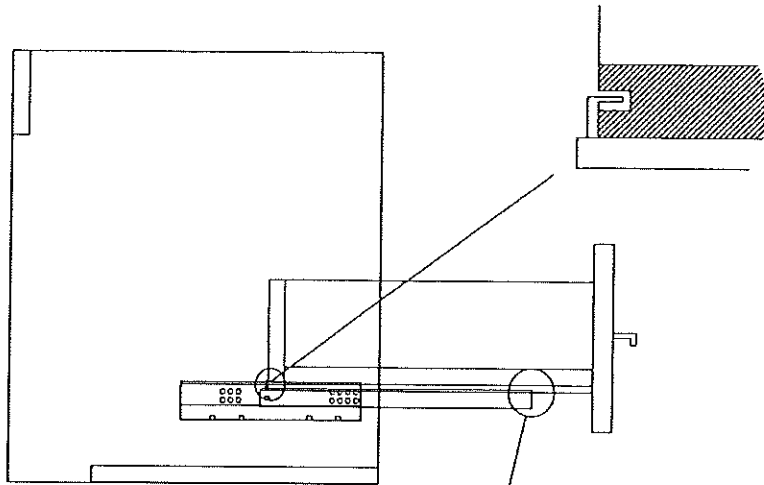
9



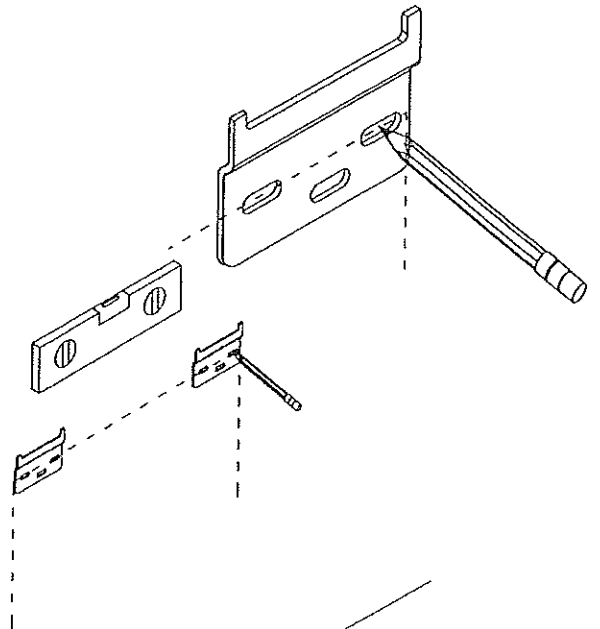
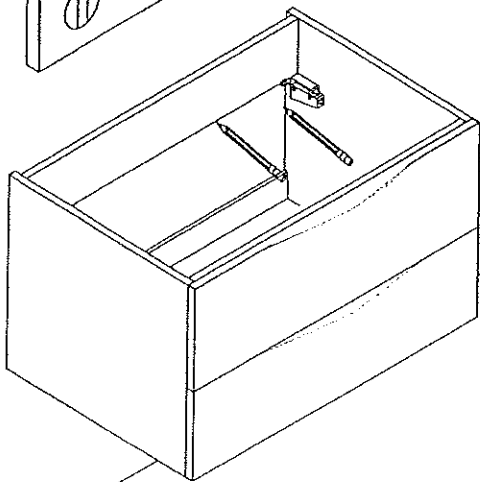
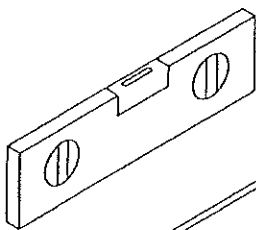
10



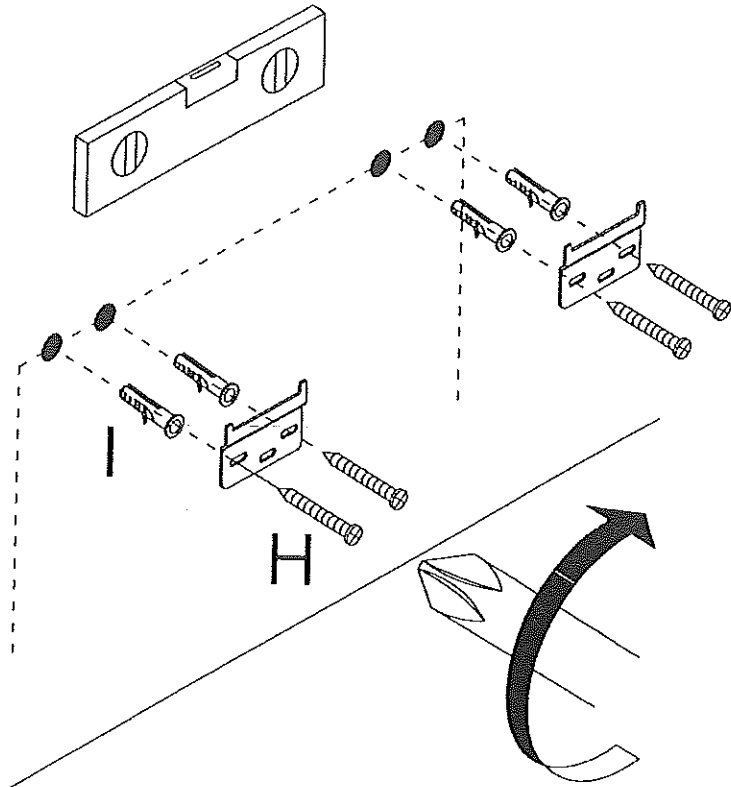
11



12



13



14

