



Guide



# TJEP QUICK-FAST®

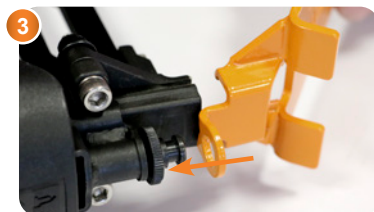


# TJEP QUICK-FAST®

F/TJEP PQZ-75 GAS 3G



- DK:** Afmonter låsering.
- UK:** Remove locking ring.
- DE:** Sicherungsring abmontieren.
- FR:** Retirer la bague de verrouillage.



- DK:** Monter TJEP QUICK-FAST®.
- UK:** Mount TJEP QUICK-FAST®.
- DE:** TJEP QUICK-FAST® montieren.
- FR:** Monture TJEP QUICK-FAST®.



- DK:** Afmonter næse.
- UK:** Remove nose.
- DE:** Nase abmontieren.
- FR:** Retirer le nez.



- DK:** Monter låsering.
- UK:** Insert locking ring.
- DE:** Sicherungsring montieren.
- FR:** Monter la bague de verrouillage.





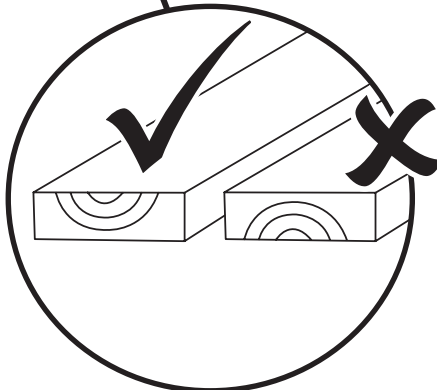
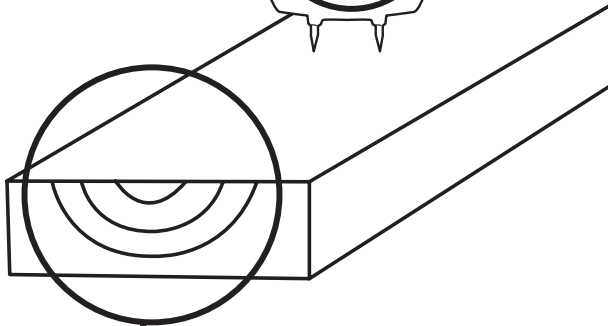
# IMPORTANT

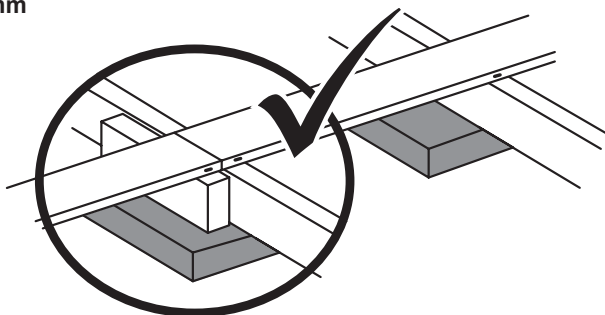
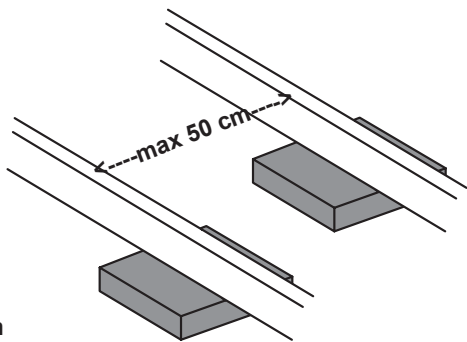
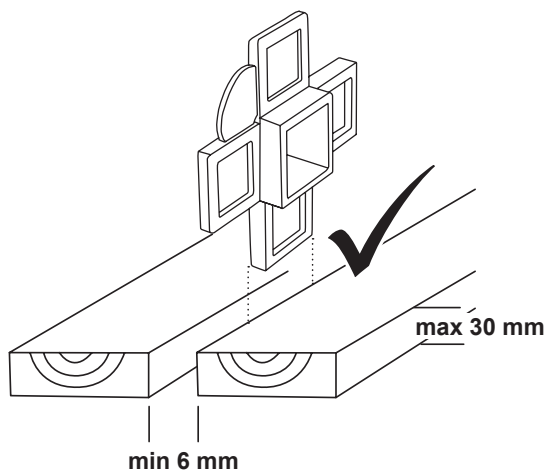
**SOFTWOOD**

**Q MAX 700 kg/m<sup>3</sup>**



**MAX 18%**





KYOCERA UNIMERCO Fastening A/S

DK-7451 Sunds · Tlf. +45 97 14 14 40 · [tjep@kyocera-unimerc.com](mailto:tjep@kyocera-unimerc.com) · [www.tjep.eu](http://www.tjep.eu)